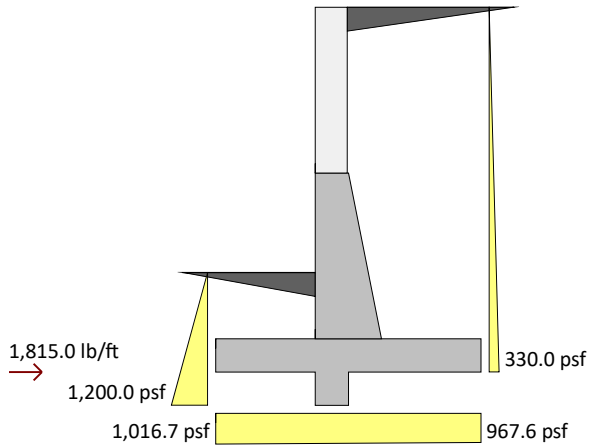
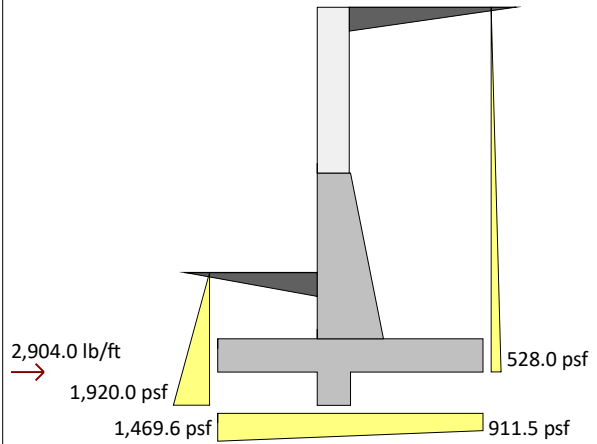


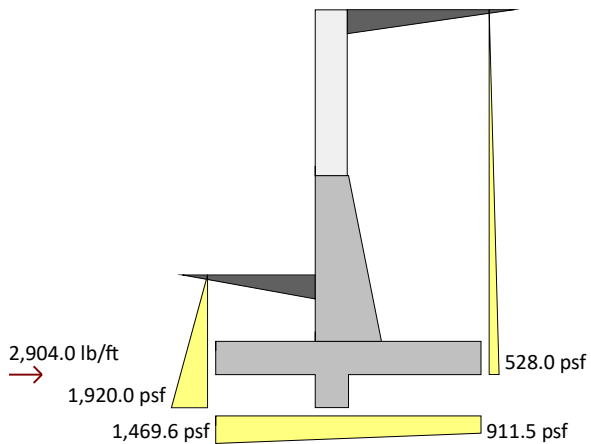
Controlling Stability Combination - D + H



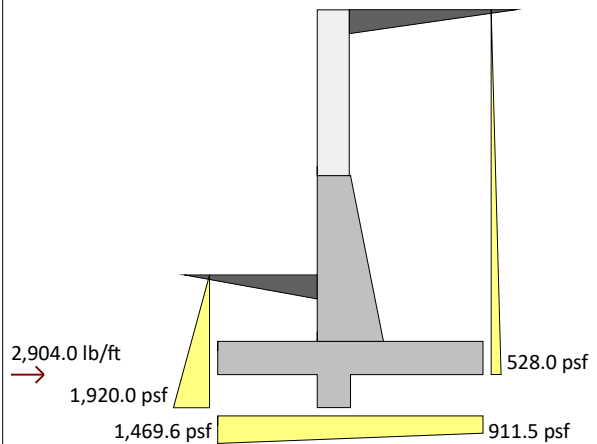
Controlling Key Combination - 1.2D + 1.6L + 0.5S + 1.6H



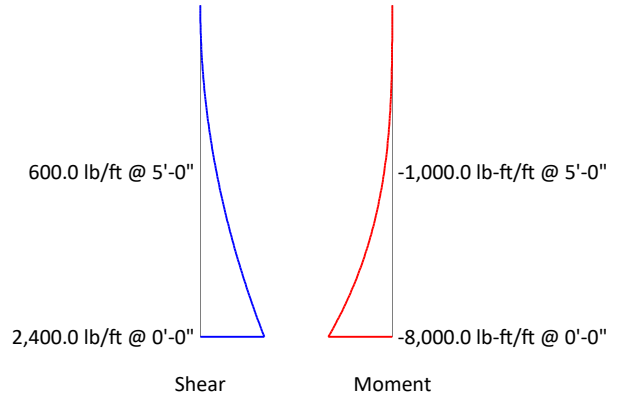
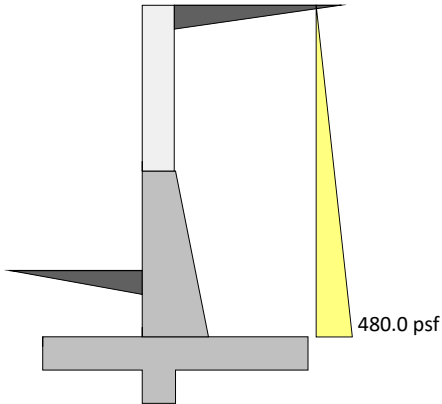
Controlling Toe Combination - 1.2D + 1.6L + 0.5S + 1.6H



Controlling Heel Combination - 1.2D + 1.6L + 0.5S + 1.6H



Controlling Bot. Stem Combination - 1.2D + 1.6L + 0.5S + 1.6H



Controlling Top Stem Combination - D + H

